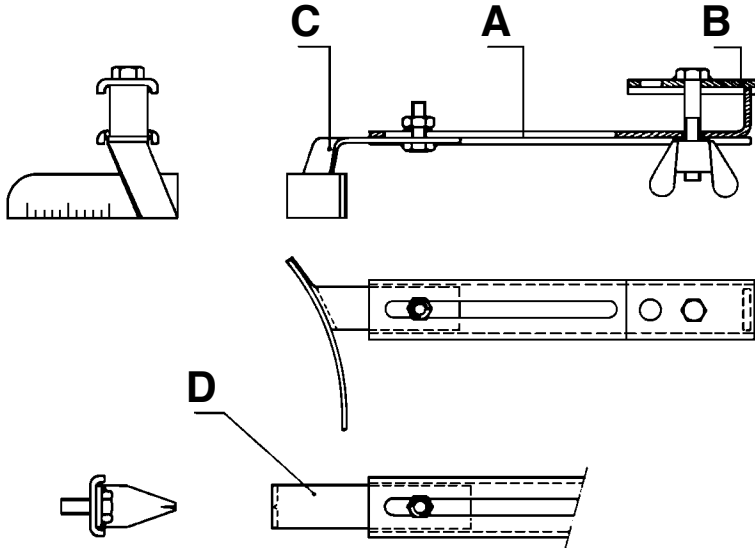
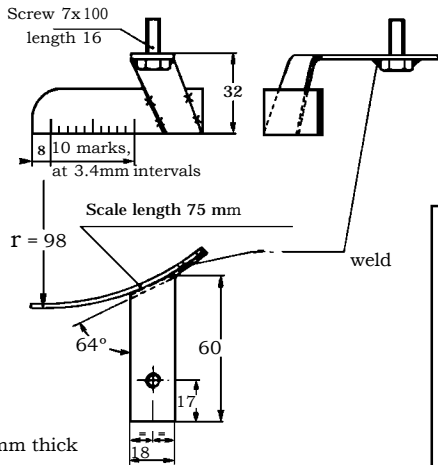


Application using timing light without phase shifter: ABC

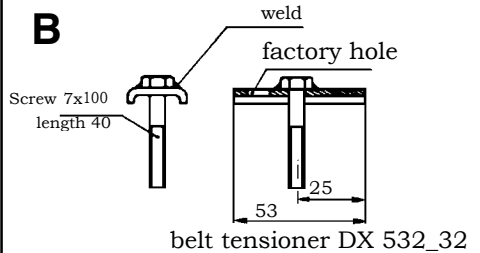
Application using timing light with phase shifter: ABD



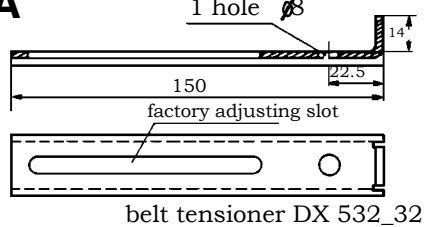
**C** Each division corresponds to 2° on the distributor



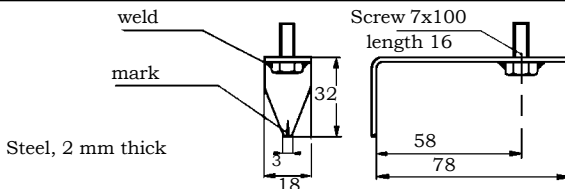
**B**



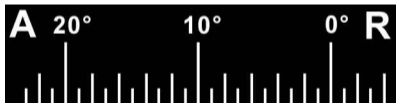
**A**

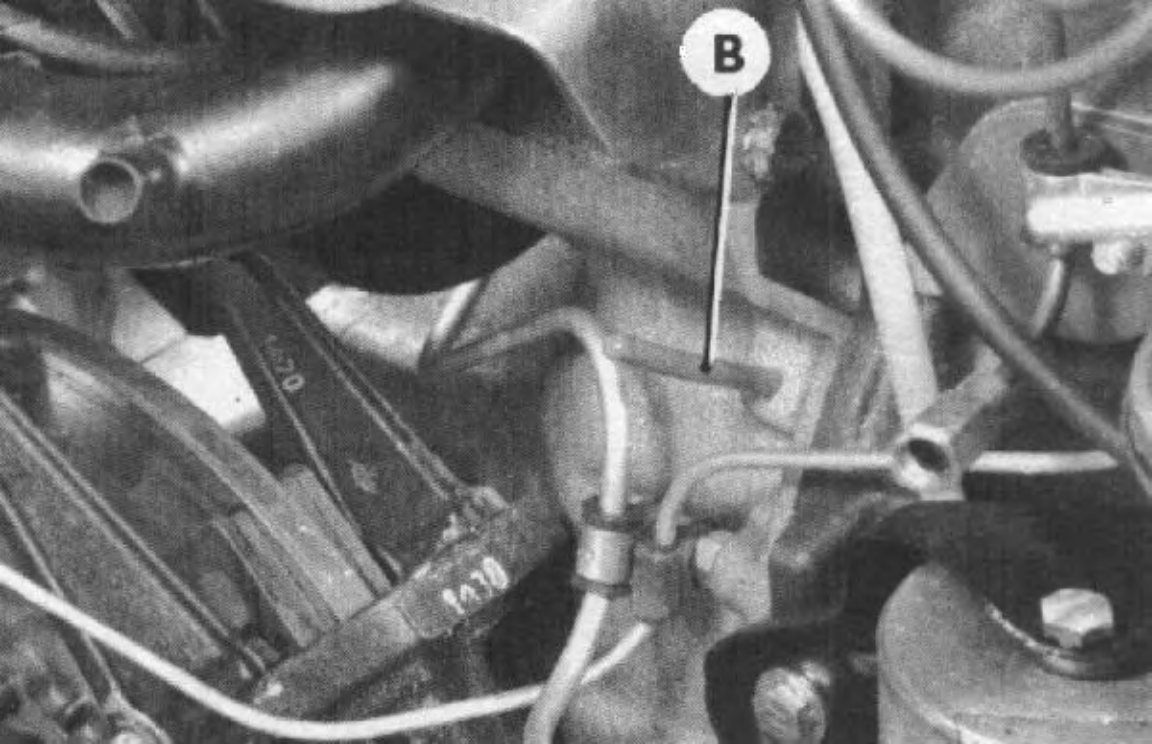


**D**



## Timing Scale





**B**

