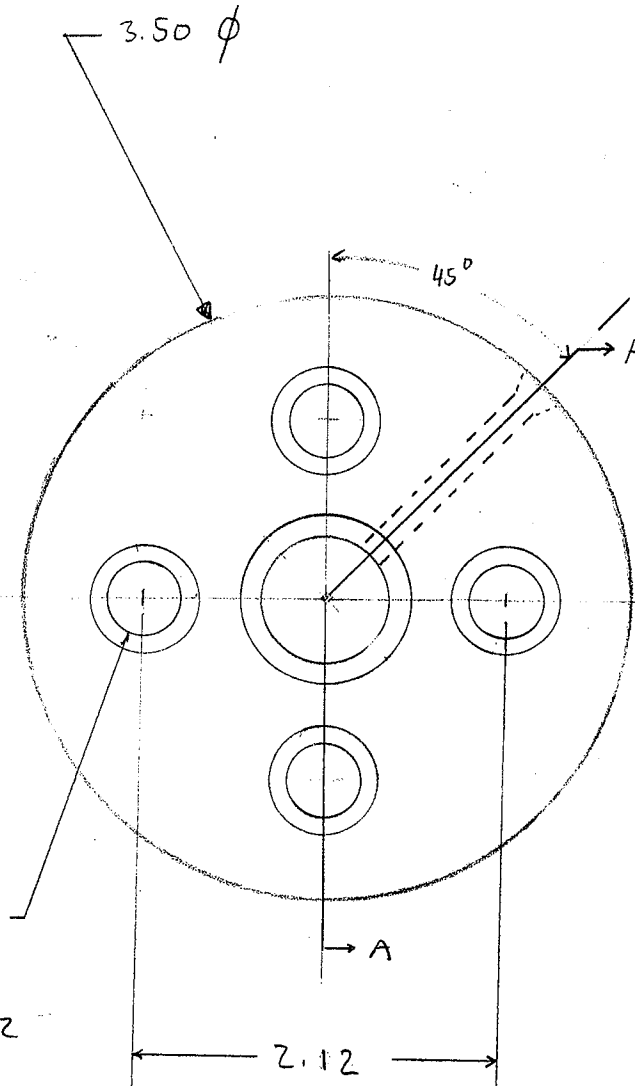
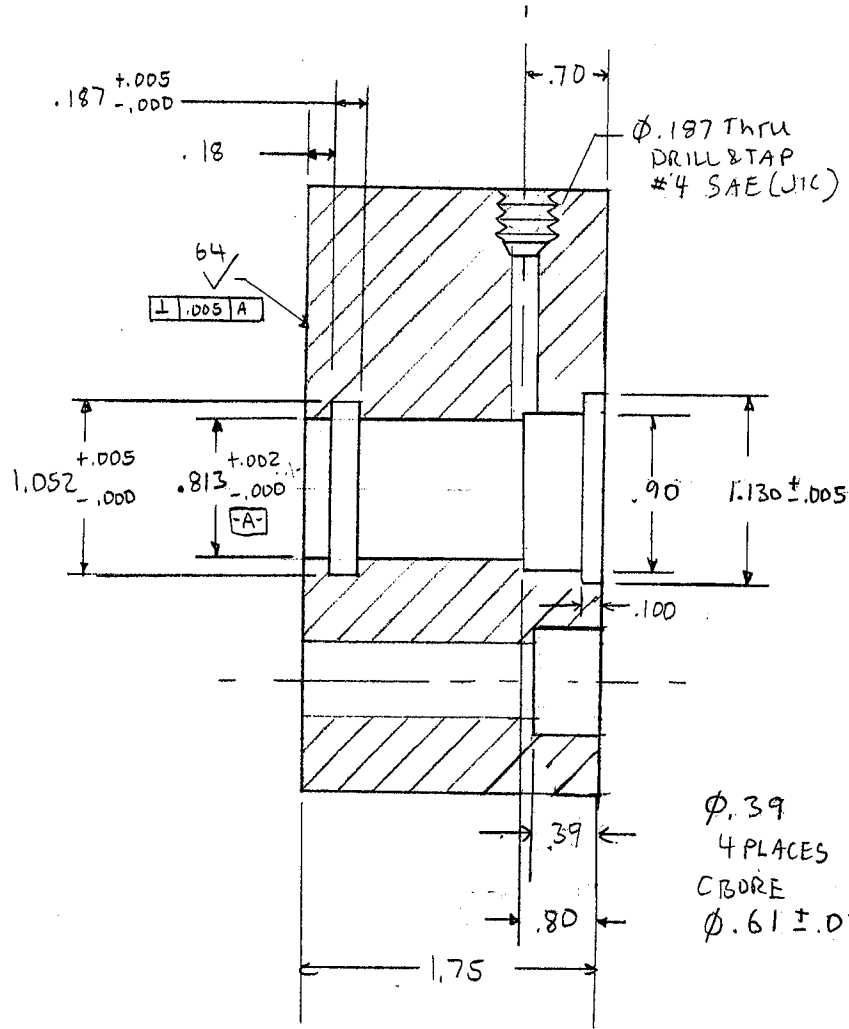


Rev A 5/23/95

Rev B 11/30/95

Rev C 7/7/96

Rev D 11/3/97 Add .90 x .80 bore & 1.130 x .100 groove



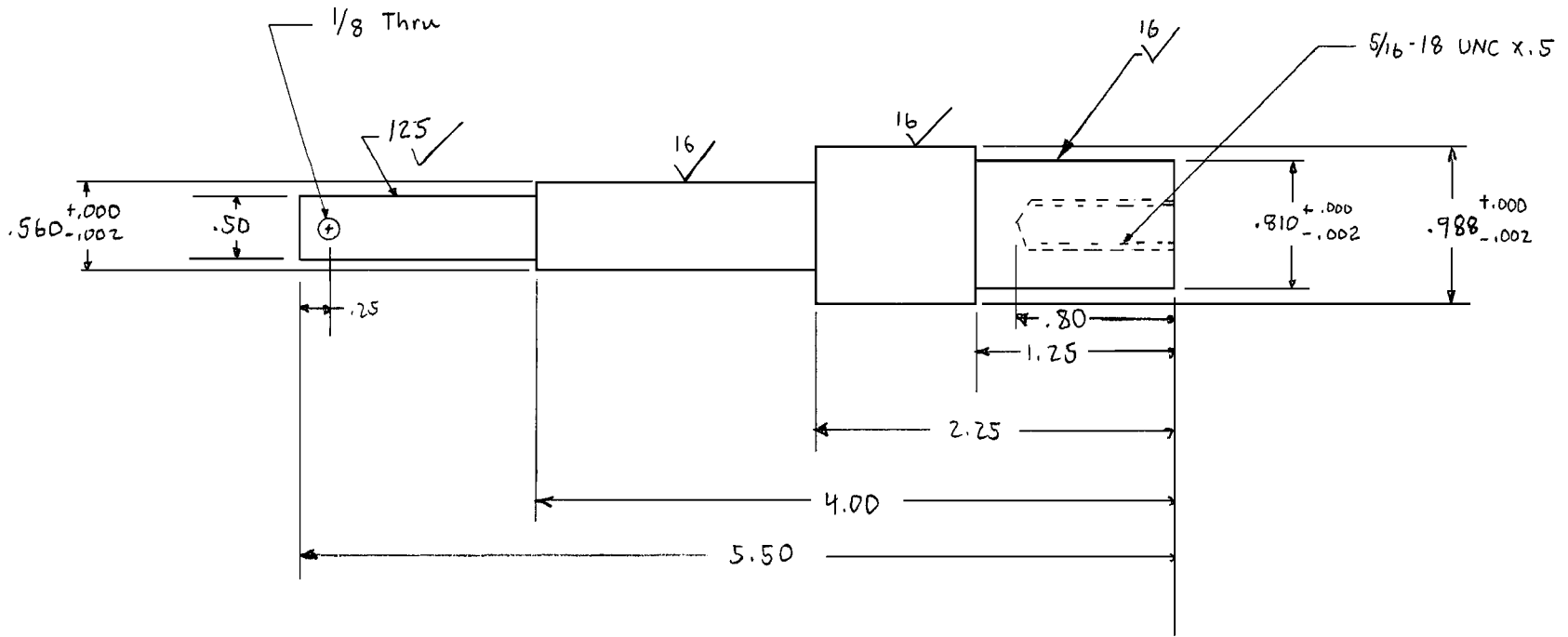
Sec A-A

O-rings 2-211 Rev A-C
2-212 Rev D

Material: Aluminum
7075-T356
7075-T6
6061-T6

TITUS - SPHERE JIG
CYLINDER # ZB
DIM X $\pm .05$
XY $\pm .01$ except as
XXX $\pm .005$ noted

Rev A 5/23
 Rev B 11/30



List of O-rings for Sphere Filling Head:

Output	2-211
Output piston	2-211
Balance piston	2-214
Input shaft	2-207

Material:
 Steel, (Corrosion Resistant)
 Alloy 303

TITUS - SPHERE JIG
 PISTON

DIMENSIONS: XX ± .01
 XX± ± .005
 Except as noted