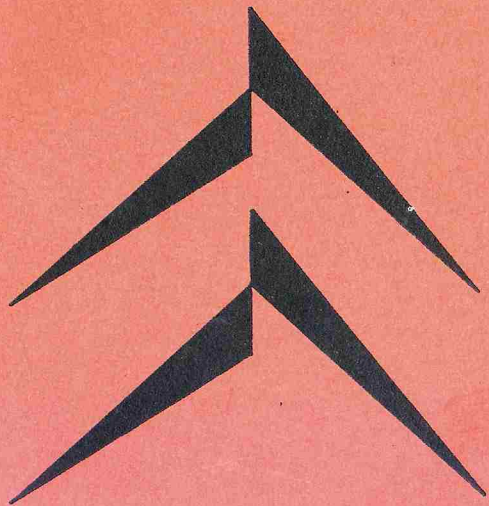


# *citroën*



**WARRANTY  
AND  
MAINTENANCE  
BOOKLET**

12

Next service at 

3000 Miles

20843

**CITROEN**

— To be filled out by Dealer when car is sold.

**IMPORTANT**

This booklet is a valuable document. To insure the proper application of our Warranty policy, it must be presented to the Citroen Authorized servicing Dealer upon request. During the Warranty period the maintenance operations described in this booklet must be performed at the indicated mileage or time intervals. The Dealer's stamp MUST be entered on the correct service maintenance page.

Owner's Name ORVAL PARKERAddress Box 13City Pocahontas State PA. Zip No. \_\_\_\_\_Model 1519 June Serial No. 3769831Motor No. 327045361 Date Sold \_\_\_\_\_

GREEN BROOK CHRYSLER IMPORT CENTER, INC.

Route 22 At Washington, Ave. Right  
GREEN BROOK, NEW JERSEYSold by \_\_\_\_\_  
Tel. 908-6821  
Dealers' Stamp**ANTI-POLLUTION**

Your car is equipped with anti-pollution systems which comply with all Federal and State requirements. In order to keep them in good condition, the following additions or changes must be done in the maintenance schedules described in this booklet:

**I Page 5: OPERATIONS TO BE PERFORMED AT THE 600 MILE INSPECTION**

ADD the following operations:

3a: Check the engine timing, adjust, if necessary.

4a: Tighten the exhaust manifold assembly bolts to 25 ft. lbs.

**II CHANGE IN SERVICE CYCLE "A" (PAGE 10 AND SERVICES #2-4-6-8-10-12-14-16-18-20-22-24-26-28-30-32)**

ADD the following operations to paragraph

**ENGINE** Check crankcase ventilation device downstream jet; clean if necessary (every 6000 miles or every 6 months). Check condition of exhaust emission control device rubber hoses. Check air pump driving belt tension.

CHANGE the paragraph "CLUTCH" to read:

DW

 1 Adjust the clutch clearance

OR

 1 Adjust the declutching guarantee

DS &amp; DS

 2 Adjust the engine first idling at 750±25 RPM by the appropriate method

DS

 3 Adjust the clutch engagement speed at 900-950 RPM. 4 Adjust the engine accelerated idling at 1025±25 RPM (all models except DV)**III CHANGE IN SERVICE CYCLE "B" (PAGE 11 AND SERVICES #4-8-12-16-20-24-28-32)**

ADD the following operation to paragraph

**ENGINE:** Adjust the engine timing**IV CHANGE IN SERVICE CYCLE "C" (PAGE 12 AND SERVICES #6-12-18-24-30)**

ADD the following operations to paragraph

**ENGINE:** Tighten the exhaust manifold assembly bolts at 25 ft. lbs. Check the operation and the delayed action of the carburetor dashpot Check the operation of the exhaust control system check valve (every 18000 miles or every year)

DELETE the following operation:

 Check engine timing; adjust if necessary

## HOW TO USE THIS BOOKLET

Dear Citroën Owner:

Like any other piece of fine precision-made machinery, your Citroën requires certain routine maintenance to insure regular uninterrupted performance. Please take the time to read this Booklet carefully, particularly the Warranty policy pages 2 and 3, as well as the Owner's guide you received from your Dealer at time of delivery.

These books have been prepared by Citroën engineers. By following the suggestions and instructions found within and by patronizing Authorized Citroën Dealers, your car will give you thousands of miles of trouble-free service.

The pages are indexed for every 3000 miles registered. At the appropriate mileage refer to the proper page. It lists a series of operations to be performed at that mileage. They are classified as "Service Cycle A, B or C" and "Lubrication Cycle 1, 2, 3 or 4", which must be done regularly at prescribed intervals. These service and lubrication cycles are described in the following pages.

When bringing your car to a Citroën Authorized Dealer, present this book to the Service Manager; he will remove the appropriate page. On completion of the work have the Service Manager affix the Dealer's stamp or signature in the space provided on the stub.

This is your record; it may be requested to establish evidence that the maintenance services have been duly performed and that the warranty is in effect.

All of us at Citroën, and our network of Citroën Authorized Dealers, maintain an interest in you and your car. We are always happy and interested in hearing from Citroën owners, and remain always at your service.

Sincerely,

CITROEN CARS CORPORATION

**3000 Miles**

## **CITROEN NEW VEHICLE WARRANTY**

CITROEN CARS CORPORATION, sole Importer and Distributor in the U.S.A. of Motor Vehicles and Motor Vehicle Equipment produced by S.A. ANDRE CITROEN, Paris, France, warrants the Vehicle described in this booklet to its original Purchaser to be free under normal use and service from defects in material and workmanship, according to current industrial standards, for a period of Twelve (12) months from the date of delivery. There is no limitation to the mileage the vehicle can be driven during the warranty period.

It is a condition of this Warranty that the Owner operates this vehicle according to the instructions contained in the Owner's Guide and maintains it according to the schedule set forth in the Maintenance Booklet. It is also a condition of this Warranty that:

1. This vehicle be inspected by an Authorized Citroën Dealer, after 600 miles have been driven but before 1,000 miles, and that proof of this inspection be forwarded to Citroën Cars Corporation forthwith. This Warranty will not apply if the inspection has not been duly performed.

The 600 Miles Inspection being reimbursed to the Servicing Dealer by Citroën Cars Corporation is consequently free of charge to the Owner to the exception of lubricants, fluids, oils and oil filter.

2. In case this vehicle is driven less than 3,000 miles during the first 3 months and/or less than 9,000 miles during the first 9 months, the engine oil be changed according to the Lubrication Chart indications for 3,000 miles and 9,000 miles.

This Warranty will be fulfilled by the Citroën Authorized Service Dealer replacing with genuine new Citroën, or Citroën Authorized Reconditioned parts, or repairing at his place of business, free of charge, including related labor, any defective part. Warranty claims must be made forthwith upon ascertainment of the defects.

This Warranty will not apply to:

1. Tires, tubes, batteries (appropriate adjustments for them being provided by their manufacturers).
2. Normal maintenance services (such as engine tune-up, fuel system cleaning, brake system bleeding, valves, carburetor, distributor, wheels, brakes and clutch adjustments).

continued page 3

continued from page 2

3. Normal replacement of service items (such as spark plugs, bulbs, ignition points, filters, wiper blades, brake and clutch linings, etc.).
4. Deterioration of soft trim, paint and appearance items due to normal use or exposure and/or engine, chassis and appearance damage due to freeze up, weather hazards and road cleaning products.

This Warranty shall be null and void in the following cases:

- a) if non-genuine parts or non-authorized reconditioned parts have been adapted to the vehicle.
- b) if the vehicle has been modified or altered in any way mechanically.
- c) if any equipment has been adapted to the vehicle that is not specifically authorized by Citroën (such as air-conditioner, special audio equipment).
- d) if the vehicle has been entered in competition racing or is misused or overloaded.

This Warranty strictly limits the responsibility of the Manufacturer, the Distributor and his Franchise Dealers, and is expressly in lieu of any other express or implied warranty, including any implied warranty of merchantability or fitness and any other obligation on the part of the Manufacturer, the Distributor and the Dealer, whether for direct or consequential damage or otherwise.

In no case the Manufacturer, Citroën Cars Corporation and the Dealer can be held liable for expenses inherent to towing, storage or immobility of the vehicle.

Beyond the Warranty period, as outlined above, Citroën new parts and Citroën Authorized Reconditioned parts are warranted for a period of 90 days from the date of installation to be free of defect in material and workmanship.

This warranty will not apply to any vehicle normally operated in countries outside of the United States or Canada, except a vehicle of U.S. specifications, ordered through Citroën Cars Corporation and its Dealers, for delivery directly by the Manufacturer under French Tourist Transit (TT) registration or other such license plate identifying its owner as visiting these countries. In such case the privileges of the U.S. warranty will prevail.



3000 Miles

## **CITROEN NEW VEHICLE WARRANTY**

CITROEN CARS CORPORATION, sole Importer and Distributor in the U.S.A. of Motor Vehicles and Motor Vehicle Equipment produced by S.A. ANDRE CITROEN, Paris, France, warrants the Vehicle described in this booklet to its original Purchaser to be free under normal use and service from defects in material and workmanship, according to current industrial standards, for a period of Twelve (12) months from the date of delivery. There is no limitation to the mileage the vehicle can be driven during the warranty period.

It is a condition of this Warranty that the Owner operates this vehicle according to the instructions contained in the Owner's Guide and maintains it according to the schedule set forth in the Maintenance Booklet. It is also a condition of this Warranty that:

1. This vehicle be inspected by an Authorized Citroën Dealer, after 600 miles have been driven but before 1,000 miles, and that proof of this inspection be forwarded to Citroën Cars Corporation forthwith. This Warranty will not apply if the inspection has not been duly performed.

The 600 Miles Inspection being reimbursed to the Servicing Dealer by Citroën Cars Corporation is consequently free of charge to the Owner to the exception of lubricants, fluids, oils and oil filter.

2. In case this vehicle is driven less than 3,000 miles during the first 3 months and/or less than 9,000 miles during the first 9 months, the engine oil be changed according to the Lubrication Chart indications for 3,000 miles and 9,000 miles.

This Warranty will be fulfilled by the Citroën Authorized Service Dealer replacing with genuine new Citroën, or Citroën Authorized Reconditioned parts, or repairing at his place of business, free of charge, including related labor, any defective part. Warranty claims must be made forthwith upon ascertainment of the defects.

This Warranty will not apply to:

1. Tires, tubes, batteries (appropriate adjustments for them being provided by their manufacturers).
2. Normal maintenance services (such as engine tune-up, fuel system cleaning, brake system bleeding, valves, carburetor, distributor, wheels, brakes and clutch adjustments).

continued page 3

### DEALER'S PREPARATION BEFORE DELIVERY:

- Clean, wash and polish car thoroughly.
- Check engine oil level.
- Check hydraulic system reservoir level.
- Check water-level in radiator. In winter add proper anti-freeze protection.
- Check windshield washer reservoir level.
- Check operation of the steering and brakes.
- Check all lights and electrical instruments.
- Check interior for cleanliness.
- Check seat-belt installation.
- Set clock at correct time.
- Check the tightness of the wheel mounting lugs.
- Install floor mats and hubcaps.
- Check gear box oil level.
- Check all tires for correct air pressure.
- Road test car.
- Install license plates.

### DEALER TO INSTRUCT OWNER ON FOLLOWING:

- how to read panel instruments.
- operation of heater-defroster and ventilation controls.
- how to check the level of water, oil, and hydraulic fluid.
- demonstrate starting when cold and hot.
- demonstrate proper shifting.
- advise caution to be observed during "break-in-period"
- advise importance of periodic maintenance and proper lubrication.
- demonstrate how to drive car.
- how to remove and replace wheel.
- have new owner drive car in Dealer's presence.

## Lubrication and Fluid Change Cycles

**3000 Miles**

Cycle number	Frequency	Points to be greased or fluid changes	Product to be used
<b>1</b>	Every 3000 miles	<ul style="list-style-type: none"> <li>— Drive shaft universal joints</li> <li>— Change the engine oil</li> <li>— Anti-roll bar ball joints</li> <li>— Grease the anti-roll bar bushings</li> </ul>	<ul style="list-style-type: none"> <li>— Wheel bearing grease</li> <li>— According to chart</li> <li>— Wheel bearing grease</li> <li>— Wheel bearing grease</li> </ul>
<b>2</b>	Every 6000 miles	<ul style="list-style-type: none"> <li>— Distributor felt (under rotor)</li> <li>— Generator rear bushing</li> <li>— Check the gear box oil level</li> <li>— Change engine oil filter cartridge</li> <li>— Clean the hydraulic fluid filter</li> </ul>	<ul style="list-style-type: none"> <li>— Very light oil</li> <li>— Engine oil</li> <li>— SAE 90 EP oil</li>   <li>— Alcohol</li> </ul>
<b>3</b>	Every 12000 miles	<ul style="list-style-type: none"> <li>— Rear suspension cylinder ball</li> <li>— Change the gear box oil</li> </ul>	<ul style="list-style-type: none"> <li>— Wheel bearing grease</li> <li>— SAE 90 EP oil</li> </ul>
<b>4</b>	Every 18000 miles	<ul style="list-style-type: none"> <li>— Change the fluid in the hydraulic reservoir</li> </ul>	Hydraulic brake fluid <b>Specification SAE 70R3</b>

See lubrication chart — pages 8 & 9 →

# LUBRICATION CHART

DS – SW – ID, all types

EVERY 12000 Miles — Cycle ③

REAR SUSPENSION  
CYLINDER BALL  
Wheel bearing grease

DISTRIBUTOR FELT  
UNDER ROTOR  
Very light oil

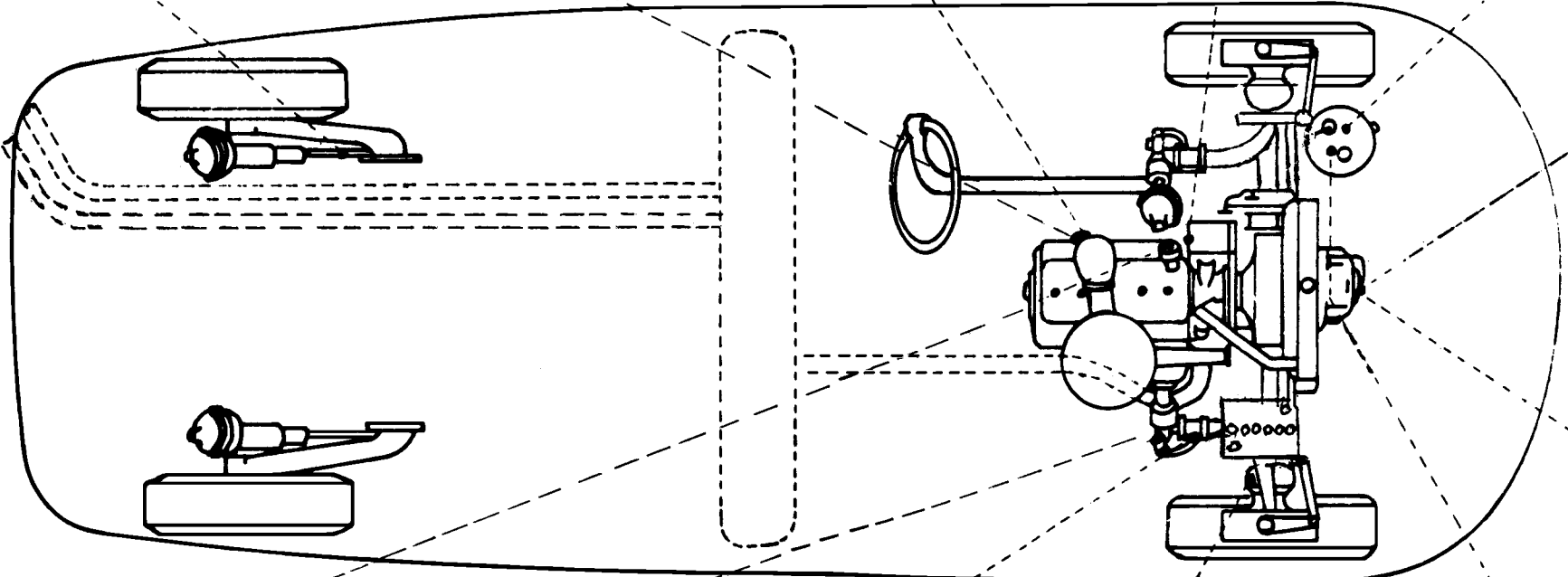
CHANGE OIL FILTER  
(Engine)

GENERATOR REAR  
BUSHING  
Engine oil

CLEAN HYDRAULIC FLUID  
FILTER SCREEN

CHECK GEAR BOX LEVEL  
S.A.E. 90 EP Oil

EVERY 6000 Miles — Cycle ②



CHANGE ENGINE OIL  
see note at left

ANTI-ROLL BAR  
BALL JOINTS  
Wheel bearing grease

ANTI-ROLL BAR BUSHINGS  
Wheel bearing grease

DRIVE SHAFT UNIVERSAL JOINTS  
Wheel bearing grease

CHANGE HYDRAULIC FLUID  
Refill with H.D. Brake fluid  
Specification S.A.E. 70R3

CHANGE GEAR BOX OIL  
S.A.E. 90 EP Oil

EVERY 3000 Miles — Cycle ①

EVERY 18000 Miles  
— Cycle ④

EVERY 12000 Miles  
— Cycle ③

**ENGINE OIL RECOMMENDATION:**  
 — Average temperature above 86° F;  
 S.A.E. 20W40  
 — Average temperature below 10° F;  
 S.A.E. 5W20  
 — Normal use: S.A.E. 10W30

## SERVICE CYCLE "A" – Every 6,000 miles

### ENGINE

- Clean air filter.
- Clean insects from radiator.
- Clean and check spark plugs; adjust gap.
- Clean and check distributor points; adjust gap.
- Adjust the engine idling { DW @ 550 RPM.  
DS see **CLUTCH** below.
- Check crankcase ventilation device operation. (Check condition of rubber hoses, clean if necessary).  
Check the belt tensions; adjust if necessary.

### CLUTCH

- DW  Adjust the clutch clearance.
- 1 Adjust the declutching guarantee.
- 2 Adjust the engine first idling at 550 to 600 RPM.
- DS  3 Adjust the clutch engagement speed at 700 to 750 RPM.
- 4 Adjust the engine accelerated idling at 875 to 925 RPM.

### BRAKES

- Check the condition of the front brake lining.
- Check the parking brake operation. Adjust if necessary.

### BATTERY

- Check the level ( $1\frac{1}{2}$ " to  $\frac{3}{4}$ " above plates).
- Clean the terminals. Immerse the felt washer in castor oil.

### MISCELLANEOUS

- Clean hydraulic fluid filter.
- Check hydraulic fluid level.
- Check condition of tires (put car on lift, check inner walls).
- Check headlights adjustment; adjust if necessary.
- Check operation of all lights and switches.
- Check windshield washer operation.

### LUBRICATION

According to lubri-chart and including the following:

- Clean rubber strips (windows and doors), and coat with silicon compound.
- Lubricate all body hinges (doors, door checks, hood and trunk lid), and all locks (doors and trunk) with light oil.

DW = "Mechanical" Models

DS = "Hydraulic" Models

## SERVICE CYCLE "B" – Every 12,000 miles

### ENGINE

- Check the cooling system. Check antifreeze.
- Check the exhaust system condition (exhaust manifold, muffler and exhaust pipes).
- Check the condition of all rubber hoses, especially at attaching clamps (radiator, intake, manifold heating and heater).
- Check the radiator flap or curtain (heavy duty heater).
- Change the spark plugs.

### BRAKES

- Check condition of the front brake discs.
- Check the rear brake drums and condition of the lining.
- Clean (blow dust) and adjust rear brakes.

### MISCELLANEOUS

- Clean the air-vents.

### LUBRICATION

According to lubri-chart plus the following:

- Lubricate all control cables (examples: heater control, hood releases, choke control . . .).

## SERVICE CYCLE "C" – Every 18,000 miles

### ENGINE

- Check compression of cylinders.
- Check engine timing; adjust if necessary.
- Check condition of starter.
- Adjust valve clearances.
- Change distributor points (if not taken care of previously).
- Overhaul and clean the carburetor.

### ELECTRICAL

- Check condition of generator (clean commutator, change generator brushes).
- Check entire electrical system.

### SUSPENSION

- Check the hydraulic system thoroughly for leaks.
- Check front end adjustment; adjust if necessary.
- Check height adjustments; adjust if necessary.

### STEERING

- Check steering system for play.

### LUBRICATION

According to lubri-chart.

## IMPORTANT NOTES

### 1. Oil Changes:

- a) In climates where temperatures average above 86° F. use S.A.E. 20W40 oil.
- b) In climates where temperatures average below 10° F. use S.A.E. 5W20 oil.
- c) Under no circumstances should oil additives be used.
- d) When changing the oil filter cartridge the amount of oil to be refilled is 5¼ quarts. Otherwise, use 4¾ quarts.
- e) The oil must be changed at least every six months even if the mileage registered is less than 3000 miles.

### 2. Filters:

When driving in dusty areas it is necessary to clean the following parts more frequently:

- the hydraulic fluid filter in the main reservoir
- the air cleaner
- the oil filter
- the fuel filter.

3. When replenishing the main reservoir be sure the fluid used is a brake fluid meeting S.A.E. specification 70R3. Do not use any other "hydraulic fluid".
4. It is advisable to keep anti-freeze solutions in the cooling system the year round. Have the strength of the solution checked each year before the winter season.
5. Use only the grade of gasoline recommended for your model. See the Owner's Instruction Manual.
6. During the winter season lubricate all locks with glycerine.
7. Form the habit of using the same brand materials, such as oils, brake fluids and anti-freeze solution.

3000 Miles

SERVICE No. 1

LUBRICATION ①



3000 Miles

TO DEALER: attach this sheet to your Repair Order as instructions for your mechanic. Check (✓) each operation completed.

Performed by:

DEALER NAME (STAMP)

LUBRICATION (see lubri-chart)

- Change engine oil (4<sup>3</sup>/<sub>4</sub> quarts S.A.E. 10W30).
- Grease drive shaft universal joints.
- Grease the anti-roll bar ball joints.
- Grease the anti-roll bar bushings.

BATTERY

- Check level (1/2" to 3/4" above plates).
- Clean terminals.

SERVICE No. 1

LUBRICATION ①

Date of Service

Mileage

Keep your Citroën beautiful

6000 Miles

SERVICE No. 2

### SERVICE A & LUBRICATION ① & ②



6000 Miles

TO DEALER: attach this sheet to your Repair Order as instructions for your mechanic. Check (✓) each operation completed.

Performed by:

DEALER NAME (STAMP) ↓

SERVICE No. 2

SERVICE A and LUBRICATION ① & ②

Date of Service \_\_\_\_\_

Mileage \_\_\_\_\_

#### ENGINE

- Clean air filter.
- Clean insects from radiator.
- Clean and check spark plugs. **Adjust gap.**
- Clean and check distributor points. **Adjust gap.**
- Adjust the engine idling.**  
DW @ 550 RPM  
DS: see CLUTCH section below.
- Check crankcase ventilation device operation (check condition of rubber hoses; **clean** if necessary).
- Check the belt tensions; **adjust** if necessary.

#### CLUTCH

- DW  **Adjust the clutch clearance.**
- 1 **Adjust the declutching guarantee.**
  - 2 **Adjust the engine first idling @ 550 to 600 RPM**
- DS  3 **Adjust the clutch engagement speed @ 700 to 750 RPM**
- 4 **Adjust the accelerated idling @ 875 to 925 RPM**

#### BRAKES

- Check the condition of the front brake lining.
- Check the parking brake operation; **adjust** if necessary.

#### BATTERY

- Check level ( $1/2$ " to  $3/4$ " above the plates).
- Clean terminals. Immerse the felt washer in castor oil.

#### MISCELLANEOUS

- Clean hydraulic fluid filter.
- Check hydraulic fluid level.
- Check condition of tires (put car on lift, **check inner walls**).
- Check headlight adjustment; **adjust** if necessary.
- Check operation of all lights and switches.
- Check windshield washer operation.

#### LUBRICATION (see lubri-chart)

- Change engine oil filter cartridge.
- Change engine oil ( $5\frac{1}{4}$  quarts S.A.E. 10W30).
- Grease drive shaft universal joints.
- Grease anti-roll bar ball joints.
- Grease anti-roll bar bushings.
- Lubricate distributor felt (under rotor).
- Lubricate generator rear bushing.
- Check the gear box oil level.
- Clean rubber strips (windows, doors . . .) and coat with silicon compound.
- Lubricate all body hinges (doors, door checks, hood, trunk lid . . .) and locks (doors, trunk) with light oil.

*Have your Citroën washed and waxed regularly*

9000 Miles

SERVICE No. 3

LUBRICATION ①



9000 Miles

TO DEALER: attach this sheet to your Repair Order as instructions for your mechanic. Check (✓) each operation completed.

LUBRICATION (see lubri-chart)

- Change engine oil (4¾ quarts S.A.E. 10W30).
- Grease drive shaft universal joints.
- Grease the anti-roll bar ball joints.
- Grease the anti-roll bar bushings.

BATTERY

- Check level (½" to ¾" above plates).
- Clean terminals.

Performed by:

DEALER NAME (STAMP) ◀

SERVICE No. 3

LUBRICATION ①

Date of Service \_\_\_\_\_

Mileage \_\_\_\_\_

Keep your Citroën beautiful

12000 Miles

SERVICE No. 4

SERVICE A & B and LUBRICATION ① & ② & ③



12000 Miles

TO DEALER: attach this sheet to your Repair Order as instructions for your mechanic. Check (✓) each operation completed.

ENGINE

- Clean air filter.
- Clean insects from radiator.
- Clean and check distributor points (if not done yet). Adjust gap.
- Change spark plugs.
- Adjust the engine idling.  
DW @ 550 RPM and DS: see CLUTCH
- Check crankcase ventilation device operation (check condition of rubber hoses, clean if necessary).
- Check the belt tensions; adjust if necessary.
- Check the cooling system condition; check antifreeze concentration.
- Check exhaust system (manifold, muffler, exhaust pipes . . .).
- Check the condition of all rubber hoses, especially at their attaching clamp (radiator, intake manifold heating, heater . . .).
- Check the radiator flap or curtain operation (H.D. heater).

CLUTCH

- DW  Adjust the clutch clearance.
- DS {  1 Adjust the declutching guarantee.
- 2 Adjust the engine first idling @ 550 to 600 RPM
- 3 Adjust the clutch engagement speed @ 700 to 750 RPM
- 4 Adjust the accelerated idling @ 875 to 925 RPM

BRAKES

- Check the condition of the front brake discs and linings.
- Check the condition of the rear brake drums and lining.
- Clean and adjust the rear brakes.
- Check the parking brake operation; adjust if necessary.

BATTERY

- Check level (1/2" to 3/4" above plates).
- Clean terminals. Immerse the felt washers in castor oil.

Performed by:

DEALER NAME (STAMP)

SERVICE No. 4

SERVICE A & B and LUBRICATION ① & ② & ③

Date of Service

Mileage

Clean and vacuum the interior of your Citroën periodically

(TURN PAGE) CONTINUED →

SERVICE No. 4

A & B and  
SERVICE A & B and LUBRICATION ① & ② & ③



TO DEALER: attach this sheet to your Repair Order as instructions for your mechanic. Check (✓) each operation completed.

**MISCELLANEOUS**

- Clean hydraulic fluid filter.
- Check hydraulic fluid level.
- Check condition of tires (put car on lift, check inner walls).
- Check the headlight adjustment; **adjust** if necessary.
- Check operation of all lights and switches.
- Check windshield washer operation.
- Clean the air vents.

**LUBRICATION** (see lubri-chart)

- Change engine oil filter cartridge.
- Change engine oil (5¼ quarts S.A.E. 10W30).
- Grease drive shaft universal joints.
- Grease anti-roll bar ball joints.
- Grease anti-roll bar bushings.
- Lubricate rear suspension cylinder balls.
- Lubricate distributor felt (under rotor).
- Lubricate generator rear bushing.
- Change gear box oil (S.A.E. 90EP).
- Clean rubber strips (windows, doors . . .) and coat with silicon compound.
- Lubricate all body hinges and locks.
- Lubricate all control cables (heater control, speedometer, hood release, choke control . . .)

*Clean and vacuum the interior of your Citroën periodically*

15000 Miles

SERVICE No. 5

LUBRICATION ①



15000 Miles

TO DEALER: attach this sheet to your Repair Order as instructions for your mechanic. Check (✓) each operation completed.

LUBRICATION (see lubri-chart)

- Change engine oil (4<sup>3</sup>/<sub>4</sub> quarts S.A.E. 10W30).
- Grease drive shaft universal joints.
- Grease the anti-roll bar ball joints.
- Grease the anti-roll bar bushings.

BATTERY

- Check level (1/2" to 3/4" above plates).
- Clean terminals.

Performed by:

DEALER NAME (STAMP) ←

SERVICE No. 5

LUBRICATION ①

Date of Service \_\_\_\_\_

Mileage \_\_\_\_\_

Keep your Citroën beautiful

18000 Miles

SERVICE No. 6

SERVICE A & C and LUBRICATION ① & ② & ④



18000 Miles

TO DEALER: attach this sheet to your Repair Order as instructions for your mechanic. Check (✓) each operation completed.

ENGINE

- Clean air filter.
- Clean insects from radiator.
- Clean and check spark plugs. Adjust gap.
- Change distributor points (if not done yet).
- Check the cylinders compression.
- Check the engine timing; adjust if necessary.
- Overhaul and clean the carburetor.
- Adjust the valve clearance.
- Adjust the engine idling.  
DW @ 550 RPM  
DS: see CLUTCH section below.
- Check the starter condition.
- Check the crankcase ventilation device operation (check condition of rubber hoses; clean if necessary).
- Check the belt tensions; adjust if necessary.

CLUTCH

- DW  Adjust the clutch clearance.
- 1 Adjust the declutching guarantee.
- 2 Adjust the engine first idling @ 550 to 600 RPM
- DS  3 Adjust the clutch engagement speed @ 700 to 750 RPM
- 4 Adjust the accelerated idling @ 875 to 925 RPM

BRAKES

- Check condition of front brake lining.
- Check parking brake operation; adjust if necessary.

BATTERY

- Check level (1/2" to 3/4" above the plates).
- Clean terminals. Immerse the felt washers in castor oil.

DEALER NAME (STAMP)

Performed by:

SERVICE No. 6

SERVICE A & C and LUBRICATION ① & ② & ④

Date of Service

Mileage

Clean and vacuum the interior of your Citroën periodically

(TURN PAGE) CONTINUED →



TO DEALER: attach this sheet to your Repair Order as instructions for your mechanic. Check (✓) each operation completed.

**ELECTRICAL**

- Check the generator condition (clean, or if necessary, change brushes).
- Check the entire electric system operation.

**SUSPENSION**

- Check hydraulic system for leaks completely.
- Check front end alignment; **adjust** if necessary.
- Check the heights; **adjust** if necessary.

**STEERING**

- Check for play in steering system.

**MISCELLANEOUS**

- Clean hydraulic fluid filter.
- Change the hydraulic fluid (S.A.E. 70R3).
- Check condition of tires (put car on lift, check inner walls).
- Check the headlight adjustment; **adjust** if necessary.

- Check operation of all lights and switches.
- Check windshield washer operation.
- Rotate the tires.

**LUBRICATION** (see lubri-chart)

- Change engine oil filter cartridge.
- Change engine oil (5¼ quarts S.A.E. 10W30)
- Grease drive shaft universal joints.
- Grease anti-roll bar ball joints.
- Grease anti-roll bar bushings.
- Lubricate distributor felt (under rotor).
- Lubricate generator rear bushing.
- Check gear box oil level.
- Clean hydraulic fluid filter.
- Clean rubber strips (windows, doors . . .) and coat with silicon compound.
- Lubricate all body hinges (doors, door checks, hood, trunk lid . . .) and locks (doors, trunk) with light oil.

*Clean and vacuum the interior of your Citroën periodically*

SERVICE No. 7

LUBRICATION ①

Date of Service \_\_\_\_\_

Mileage \_\_\_\_\_

Performed by: \_\_\_\_\_

21000 Miles

DEALER NAME (STAMP) 

SERVICE No. 7

## LUBRICATION ①



TO DEALER: attach this sheet to your Repair Order as instructions for your mechanic. Check (✓) each operation completed.

### LUBRICATION (see lubri-chart)

- Change engine oil (4 $\frac{3}{4}$  quarts S.A.E. 10W30).
- Grease drive shaft universal joints.
- Grease the anti-roll bar ball joints.
- Grease the anti-roll bar bushings.

### BATTERY

- Check level ( $\frac{1}{2}$ " to  $\frac{3}{4}$ " above plates).
- Clean terminals.

*Keep your Citroën beautiful*

**21000 Miles**

24000 Miles

SERVICE No. 8

SERVICE A & B and LUBRICATION ① & ② & ③



24000 Miles

TO DEALER: attach this sheet to your Repair Order as instructions for your mechanic. Check (✓) each operation completed.

Performed by:

DEALER NAME (STAMP)

SERVICE No. 8

SERVICE A & B and LUBRICATION ① & ② & ③

Date of Service

Mileage

ENGINE

- Clean air filter.
- Clean insects from radiator.
- Clean and check distributor points (if not done yet). Adjust gap.
- Change spark plugs.
- Adjust the engine idling. DW @ 550 RPM and DS: see CLUTCH
- Check crankcase ventilation device operation (check condition of rubber hoses, clean if necessary).
- Check the belt tensions; adjust if necessary.
- Check the cooling system condition; check antifreeze concentration.
- Check exhaust system (manifold, muffler, exhaust pipes . . .).
- Check the condition of all rubber hoses, especially at their attaching clamp (radiator, intake manifold heating, heater . . .).
- Check the radiator flap or curtain operation (H.D. heater).

CLUTCH

- DW  Adjust the clutch clearance.
- DS {
  - 1 Adjust the declutching guarantee.
  - 2 Adjust the engine first idling @ 550 to 600 RPM
  - 3 Adjust the clutch engagement speed @ 700 to 750 RPM
  - 4 Adjust the accelerated idling @ 875 to 925 RPM

BRAKES

- Check the condition of the front brake discs and linings.
- Check the condition of the rear brake drums and lining.
- Clean and adjust the rear brakes.
- Check the parking brake operation; adjust if necessary.

BATTERY

- Check level (1/2" to 3/4" above plates).
- Clean terminals. Immerse the felt washers in castor oil.

Clean and vacuum the interior of your Citroën periodically

(TURN PAGE) CONTINUED →



TO DEALER: attach this sheet to your Repair Order as instructions for your mechanic. Check (✓) each operation completed.

### MISCELLANEOUS

- Clean hydraulic fluid filter.
- Check hydraulic fluid level.
- Check condition of tires (put car on lift, check inner walls).
- Check the headlight adjustment; **adjust** if necessary.
- Check operation of all lights and switches.
- Check windshield washer operation.
- Clean the air vents.

### LUBRICATION (see lubri-chart)

- Change engine oil filter cartridge.
- Change engine oil (5¼ quarts S.A.E. 10W30).
- Grease drive shaft universal joints.
- Grease anti-roll bar ball joints.
- Grease anti-roll bar bushings.
- Lubricate rear suspension cylinder balls.
- Lubricate distributor felt (under rotor).
- Lubricate generator rear bushing.
- Change gear box oil (S.A.E. 90EP).
- Clean rubber strips (windows, doors . . .) and coat with silicon compound.
- Lubricate all body hinges and locks.
- Lubricate all control cables (heater control, speedometer, hood release, choke control . . .)

*Clean and vacuum the interior of your Citroën periodically*

27000 Miles

SERVICE No. 9

LUBRICATION ①



27000 Miles

TO DEALER: attach this sheet to your Repair Order as instructions for your mechanic. Check (✓) each operation completed.

Performed by:

DEALER NAME (STAMP)

LUBRICATION (see lubri-chart)

- Change engine oil (4¾ quarts S.A.E. 10W30).
- Grease drive shaft universal joints.
- Grease the anti-roll bar ball joints.
- Grease the anti-roll bar bushings.

BATTERY

- Check level (½" to ¾" above plates).
- Clean terminals.

TIRES

- Rotate the tires.

SERVICE No. 9

LUBRICATION ①

Date of Service

Mileage

Keep your Citroën beautiful

30000 Miles

SERVICE No. 10

### SERVICE A & LUBRICATION ① & ②



30000 Miles

TO DEALER: attach this sheet to your Repair Order as instructions for your mechanic. Check (✓) each operation completed.

Performed by:

DEALER NAME (STAMP)

#### ENGINE

- Clean air filter.
- Clean insects from radiator.
- Clean and check spark plugs. **Adjust gap.**
- Clean and check distributor points. **Adjust gap.**
- Adjust the engine idling.  
DW @ 550 RPM  
DS: see CLUTCH section below.
- Check crankcase ventilation device operation (check condition of rubber hoses; clean if necessary).
- Check the belt tensions; **adjust** if necessary.

#### CLUTCH

- DW  **Adjust** the clutch clearance.
- 1 **Adjust** the declutching guarantee.
  - 2 **Adjust** the engine first idling @ 550 to 600 RPM
- DS  3 **Adjust** the clutch engagement speed @ 700 to 750 RPM
- 4 **Adjust** the accelerated idling @ 875 to 925 RPM

#### BRAKES

- Check the condition of the front brake lining.
- Check the parking brake operation; **adjust** if necessary.

#### BATTERY

- Check level (1/2" to 3/4" above the plates).
- Clean terminals. Immerse the felt washer in castor oil.

#### MISCELLANEOUS

- Clean hydraulic fluid filter.
- Check hydraulic fluid level.
- Check condition of tires (put car on lift, check inner walls).
- Check headlight adjustment; **adjust** if necessary.
- Check operation of all lights and switches.
- Check windshield washer operation.

#### LUBRICATION (see lubri-chart)

- Change engine oil filter cartridge.
- Change engine oil (5 1/4 quarts S.A.E. 10W30).
- Grease drive shaft universal joints.
- Grease anti-roll bar ball joints.
- Grease anti-roll bar bushings.
- Lubricate distributor felt (under rotor).
- Lubricate generator rear bushing.
- Check the gear box oil level.
- Clean rubber strips (windows, doors . . .) and coat with silicon compound.
- Lubricate all body hinges (doors, door checks, hood, trunk lid . . .) and locks (doors, trunk) with light oil.

*Have your Citroën washed and waxed regularly*

SERVICE No. 10

SERVICE A and LUBRICATION ① & ②

Date of Service

Mileage

SERVICE No. 11

LUBRICATION ①

Date of Service \_\_\_\_\_

Mileage \_\_\_\_\_

33000 Miles

SERVICE No. 11

### LUBRICATION ①



33000 Miles

TO DEALER: attach this sheet to your Repair Order as instructions for your mechanic. Check (✓) each operation completed.

#### LUBRICATION (see lubri-chart)

- Change engine oil (4¾ quarts S.A.E. 10W30).
- Grease drive shaft universal joints.
- Grease the anti-roll bar ball joints.
- Grease the anti-roll bar bushings.

#### BATTERY

- Check level (½" to ¾" above plates).
- Clean terminals.

Performed by: \_\_\_\_\_

DEALER NAME (STAMP) ◀

*Keep your Citroën beautiful*

36000 Miles

SERVICE No. 12

SERVICE A & B & C and LUBRICATION ① & ② & ③ & ④



36000 Miles

TO DEALER: attach this sheet to your Repair Order as instructions for your mechanic. Check (✓) each operation completed.

ENGINE

- Clean air filter.
- Clean insects from radiator.
- Adjust the valve clearance.
- Check compression of cylinders.
- Check the engine timing; adjust if necessary.
- Change distributor points (if not done yet).
- Change spark plugs.
- Overhaul and clean the carburetor.
- Adjust the engine idling.  
DW @ 550 RPM and DS: see CLUTCH
- Check crankcase ventilation device operation (check condition of rubber hoses, clean if necessary).
- Check the belt tensions; adjust if necessary.
- Check the cooling system condition; check antifreeze concentration.
- Check exhaust system (manifold, muffler, exhaust pipes . . .).
- Check the condition of all rubber hoses, especially at their attaching clamp (radiator, intake manifold heating, heater . . .).

- Check the radiator flap or curtain operation (H.D. heater).
- Check the starter condition.

CLUTCH

- DW  Adjust the clutch clearance.
- DS {  1 Adjust the declutching guarantee.  
 2 Adjust the engine first idling @ 550 to 600 RPM  
 3 Adjust the clutch engagement speed @ 700 to 750 RPM  
 4 Adjust the accelerated idling @ 875 to 925 RPM

BRAKES

- Check the condition of the front brake discs and linings.
- Check the condition of the rear brake drums and linings.
- Clean and adjust the rear brakes.
- Check the parking brake operation; adjust if necessary.

Performed by:

DEALER NAME (STAMP)

SERVICE No. 12

SERVICE A & B & C and LUBRICATION ① & ② & ③ & ④

Date of Service

Mileage

Have your Citroën washed and waxed regularly

(TURN PAGE) CONTINUED →



TO DEALER: attach this sheet to your Repair Order as instructions for your mechanic. Check (✓) each operation completed.

### ELECTRICAL

- Check the generator condition (clean, or if necessary, change brushes).
- Check the entire electric system operation.

### STEERING

- Check for play in steering system.

### SUSPENSION

- Check hydraulic system for leaks completely.
- Check front end alignment; **adjust** if necessary.
- Check the heights; **adjust** if necessary.

### MISCELLANEOUS

- Clean hydraulic fluid filter.
- Change the hydraulic fluid (S.A.E. 70R3).
- Check condition of tires (put car on lift, check inner walls).
- Check the headlight adjustment; **adjust** if necessary.

- Check operation of all lights and switches.
- Check windshield washer operation.
- Clean the air vents.

### LUBRICATION (see lubri-chart)

- Change engine oil filter cartridge.
- Change engine oil (5¼ quarts S.A.E. 10W30)
- Grease drive shaft universal joints.
- Grease anti-roll bar ball joints.
- Grease anti-roll bar bushings.
- Lubricate rear suspension cylinder balls.
- Lubricate distributor felt (under rotor).
- Lubricate generator rear bushing.
- Change gear box oil (S.A.E. 90EP).
- Clean hydraulic fluid filter.

### BATTERY

- Check level (½" to ¾" above plates).
- Clean terminals.

### TIRES

- Rotate the tires.

*Have your Citroën washed and waxed regularly*

SERVICE No. 13

LUBRICATION ①

Date of Service \_\_\_\_\_

Mileage \_\_\_\_\_

Performed by: \_\_\_\_\_

DEALER NAME (STAMP) ◀

39000 Miles

SERVICE No. 13

## LUBRICATION ①



TO DEALER: attach this sheet to your Repair Order as instructions for your mechanic. Check (✓) each operation completed.

### LUBRICATION (see lubri-chart)

- Change engine oil (4<sup>3</sup>/<sub>4</sub> quarts S.A.E. 10W30).
- Grease drive shaft universal joints.
- Grease the anti-roll bar ball joints.
- Grease the anti-roll bar bushings.

### BATTERY

- Check level (1/2" to 3/4" above plates).
- Clean terminals.

*Keep your Citroën beautiful*

**39000 Miles**

42000 Miles

SERVICE No. 14

### SERVICE A & LUBRICATION ① & ②



42000 Miles

TO DEALER: attach this sheet to your Repair Order as instructions for your mechanic. Check (✓) each operation completed.

#### ENGINE

- Clean air filter.
- Clean insects from radiator.
- Clean and check spark plugs. **Adjust gap.**
- Clean and check distributor points. **Adjust gap.**
- Adjust the engine idling.**  
DW @ 550 RPM  
DS: see CLUTCH section below.
- Check crankcase ventilation device operation (check condition of rubber hoses; clean if necessary).
- Check the belt tensions; **adjust** if necessary.

#### CLUTCH

- DW  **Adjust the clutch clearance.**
- 1 **Adjust the declutching guarantee.**
- 2 **Adjust the engine first idling @ 550 to 600 RPM**
- DS  3 **Adjust the clutch engagement speed @ 700 to 750 RPM**
- 4 **Adjust the accelerated idling @ 875 to 925 RPM**

#### BRAKES

- Check the condition of the front brake lining.
- Check the parking brake operation; **adjust** if necessary.

#### BATTERY

- Check level (1/2" to 3/4" above the plates).
- Clean terminals. Immerse the felt washer in castor oil.

#### MISCELLANEOUS

- Clean hydraulic fluid filter.
- Check hydraulic fluid level.
- Check condition of tires (put car on lift, check inner walls).
- Check headlight adjustment; **adjust** if necessary.
- Check operation of all lights and switches.
- Check windshield washer operation.

#### LUBRICATION (see lubri-chart)

- Change engine oil filter cartridge.
- Change engine oil (5 1/4 quarts S.A.E. 10W30).
- Grease drive shaft universal joints.
- Grease anti-roll bar ball joints.
- Grease anti-roll bar bushings.
- Lubricate distributor felt (under rotor).
- Lubricate generator rear bushing.
- Check the gear box oil level.
- Clean rubber strips (windows, doors . . .) and coat with silicon compound.
- Lubricate all body hinges (doors, door checks, hood, trunk lid . . .) and locks (doors, trunk) with light oil.

*Have your Citroën washed and waxed regularly*

Performed by:

DEALER NAME (STAMP)

SERVICE No. 14

SERVICE A and LUBRICATION ① & ②

Date of Service

Mileage

SERVICE No. 15


LUBRICATION ①

Date of Service \_\_\_\_\_

Mileage \_\_\_\_\_

Performed by: \_\_\_\_\_

45000 Miles

DEALER NAME (STAMP) 

SERVICE No. 15

## LUBRICATION ①



TO DEALER: attach this sheet to your Repair Order as instructions for your mechanic. Check (✓) each operation completed.

### LUBRICATION (see lubri-chart)

- Change engine oil (4 $\frac{3}{4}$  quarts S.A.E. 10W30).
- Grease drive shaft universal joints.
- Grease the anti-roll bar ball joints.
- Grease the anti-roll bar bushings.

### BATTERY

- Check level ( $\frac{1}{2}$ " to  $\frac{3}{4}$ " above plates).
- Clean terminals.

### TIRES

- Rotate the tires.

*Keep your Citroën beautiful*

**45000 Miles**

48000 Miles

SERVICE No. 16

### SERVICE A & B and LUBRICATION ① & ② & ③



48000 Miles

TO DEALER: attach this sheet to your Repair Order as instructions for your mechanic. Check (✓) each operation completed.

#### ENGINE

- Clean air filter.
- Clean insects from radiator.
- Clean and check distributor points (if not done yet). Adjust gap.
- Change spark plugs.
- Adjust the engine idling.  
DW @ 550 RPM and DS: see CLUTCH
- Check crankcase ventilation device operation (check condition of rubber hoses, clean if necessary).
- Check the belt tensions; adjust if necessary.
- Check the cooling system condition; check antifreeze concentration.
- Check exhaust system (manifold, muffler, exhaust pipes . . .).
- Check the condition of all rubber hoses, especially at their attaching clamp (radiator, intake manifold heating, heater . . .).
- Check the radiator flap or curtain operation (H.D. heater).

#### CLUTCH

- DW  Adjust the clutch clearance.
- DS {
  - 1 Adjust the declutching guarantee.
  - 2 Adjust the engine first idling @ 550 to 600 RPM
  - 3 Adjust the clutch engagement speed @ 700 to 750 RPM
  - 4 Adjust the accelerated idling @ 875 to 925 RPM

#### BRAKES

- Check the condition of the front brake discs and linings.
- Check the condition of the rear brake drums and lining.
- Clean and adjust the rear brakes.
- Check the parking brake operation; adjust if necessary.

#### BATTERY

- Check level ( $1/2$ " to  $3/4$ " above plates).
- Clean terminals. Immerse the felt washers in castor oil.

Performed by:

DEALER NAME (STAMP) ←

SERVICE No. 16

SERVICE A & B and LUBRICATION ① & ② & ③

Date of Service

Mileage

Clean and vacuum the interior of your Citroën periodically

(TURN PAGE) CONTINUED →



TO DEALER: attach this sheet to your Repair Order as instructions for your mechanic. Check (✓) each operation completed.

### MISCELLANEOUS

- Clean hydraulic fluid filter.
- Check hydraulic fluid level.
- Check condition of tires (put car on lift, check inner walls).
- Check the headlight adjustment; adjust if necessary.
- Check operation of all lights and switches.
- Check windshield washer operation.
- Clean the air vents.

### LUBRICATION (see lubri-chart)

- Change engine oil filter cartridge.
- Change engine oil (5¼ quarts S.A.E. 10W30).
- Grease drive shaft universal joints.
- Grease anti-roll bar ball joints.
- Grease anti-roll bar bushings.
- Lubricate rear suspension cylinder balls.
- Lubricate distributor felt (under rotor).
- Lubricate generator rear bushing.
- Change gear box oil (S.A.E. 90EP).
  
- Clean rubber strips (windows, doors . . .) and coat with silicon compound.
  
- Lubricate all body hinges and locks.
  
- Lubricate all control cables (heater control, speedometer, hood release, choke control . . .)

*Clean and vacuum the interior of your Citroën periodically*

51000 Miles

SERVICE No. 17

LUBRICATION ①



51000 Miles

TO DEALER: attach this sheet to your Repair Order as instructions for your mechanic. Check (✓) each operation completed.

Performed by:

DEALER NAME (STAMP) ◀

SERVICE No. 17

LUBRICATION ①

Date of Service \_\_\_\_\_

Mileage \_\_\_\_\_

LUBRICATION (see lubri-chart)

- Change engine oil (4 $\frac{3}{4}$  quarts S.A.E. 10W30).
- Grease drive shaft universal joints.
- Grease the anti-roll bar ball joints.
- Grease the anti-roll bar bushings.

BATTERY

- Check level ( $\frac{1}{2}$ " to  $\frac{3}{4}$ " above plates).
- Clean terminals.

*Keep your Citroën beautiful*

54000 Miles

SERVICE No. 18

SERVICE A & C and LUBRICATION ① & ② & ④



54000 Miles

TO DEALER: attach this sheet to your Repair Order as instructions for your mechanic. Check (✓) each operation completed.

ENGINE

- Clean air filter.
- Clean insects from radiator.
- Clean and check spark plugs. **Adjust gap.**
- Change distributor points (if not done yet).
- Check the cylinders compression.
- Check the engine timing; **adjust** if necessary.
- Overhaul and clean** the carburetor.
- Adjust** the valve clearance.
- Adjust** the engine idling.  
DW @ 550 RPM  
DS: see CLUTCH section below.
- Check the starter condition.
- Check the crankcase ventilation device operation (**check** condition of rubber hoses; **clean** if necessary).
- Check the belt tensions; **adjust** if necessary.

CLUTCH

- DW  **Adjust** the clutch clearance.
- DS {
  - 1 **Adjust** the declutching guarantee.
  - 2 **Adjust** the engine first idling @ 550 to 600 RPM
  - 3 **Adjust** the clutch engagement speed @ 700 to 750 RPM
  - 4 **Adjust** the accelerated idling @ 875 to 925 RPM

BRAKES

- Check condition of front brake lining.
- Check parking brake operation; **adjust** if necessary.

BATTERY

- Check level ( $1/2''$  to  $3/4''$  above the plates).
- Clean terminals. Immerse the felt washers in castor oil.

Performed by:

DEALER NAME (STAMP)

SERVICE No. 18

SERVICE A & C and LUBRICATION ① & ② & ④

Date of Service

Mileage

Clean and vacuum the interior of your Citroën periodically

(TURN PAGE) CONTINUED →



TO DEALER: attach this sheet to your Repair Order as instructions for your mechanic. Check (✓) each operation completed.

### ELECTRICAL

- Check the generator condition (clean, or if necessary, change brushes).
- Check the entire electric system operation.

### SUSPENSION

- Check hydraulic system for leaks completely.
- Check front end alignment; **adjust** if necessary.
- Check the heights; **adjust** if necessary.

### STEERING

- Check for play in steering system.

### MISCELLANEOUS

- Clean hydraulic fluid filter.
- Change the hydraulic fluid (S.A.E. 70R3).
- Check condition of tires (put car on lift, check inner walls).
- Check the headlight adjustment; **adjust** if necessary.

- Check operation of all lights and switches.
- Check windshield washer operation.
- Rotate the tires.

### LUBRICATION (see lubri-chart)

- Change engine oil filter cartridge.
- Change engine oil (5¼ quarts S.A.E. 10W30)
- Grease drive shaft universal joints.
- Grease anti-roll bar ball joints.
- Grease anti-roll bar bushings.
- Lubricate distributor felt (under rotor).
- Lubricate generator rear bushing.
- Check gear box oil level.
- Clean hydraulic fluid filter.
- Clean rubber strips (windows, doors . . .) and coat with silicon compound.
- Lubricate all body hinges (doors, door checks, hood, trunk lid . . .) and locks (doors, trunk) with light oil.

*Clean and vacuum the interior of your Citroën periodically*

57000 Miles

SERVICE No. 19

LUBRICATION ①



57000 Miles

TO DEALER: attach this sheet to your Repair Order as instructions for your mechanic. Check (✓) each operation completed.

LUBRICATION (see lubri-chart)

- Change engine oil (4¾ quarts S.A.E. 10W30).
- Grease drive shaft universal joints.
- Grease the anti-roll bar ball joints.
- Grease the anti-roll bar bushings.

BATTERY

- Check level (½" to ¾" above plates).
- Clean terminals.

Performed by:

DEALER NAME (STAMP) ←

SERVICE No. 19

LUBRICATION ①

Date of Service \_\_\_\_\_

Mileage \_\_\_\_\_

*Keep your Citroën beautiful*

60000 Miles

SERVICE No. 20

SERVICE A & B and LUBRICATION ① & ② & ③



60000 Miles

TO DEALER: attach this sheet to your Repair Order as instructions for your mechanic. Check (✓) each operation completed.

Performed by:

DEALER NAME (STAMP)

SERVICE No. 20

SERVICE A & B and LUBRICATION ① & ② & ③

Date of Service

Mileage

ENGINE

- Clean air filter.
- Clean insects from radiator.
- Clean and check distributor points (if not done yet). Adjust gap.
- Change spark plugs.
- Adjust the engine idling.  
DW @ 550 RPM and DS: see CLUTCH
- Check crankcase ventilation device operation (check condition of rubber hoses, clean if necessary).
- Check the belt tensions; adjust if necessary.
- Check the cooling system condition; check antifreeze concentration.
- Check exhaust system (manifold, muffler, exhaust pipes . . .).
- Check the condition of all rubber hoses, especially at their attaching clamp (radiator, intake manifold heating, heater . . .).
- Check the radiator flap or curtain operation (H.D. heater).

CLUTCH

- DW  Adjust the clutch clearance.
- DS {
  - 1 Adjust the declutching guarantee.
  - 2 Adjust the engine first idling @ 550 to 600 RPM
  - 3 Adjust the clutch engagement speed @ 700 to 750 RPM
  - 4 Adjust the accelerated idling @ 875 to 925 RPM

BRAKES

- Check the condition of the front brake discs and linings.
- Check the condition of the rear brake drums and lining.
- Clean and adjust the rear brakes.
- Check the parking brake operation; adjust if necessary.

BATTERY

- Check level (1/2" to 3/4" above plates).
- Clean terminals. Immerse the felt washers in castor oil.

Clean and vacuum the interior of your Citroën periodically

(TURN PAGE) CONTINUED →



TO DEALER: attach this sheet to your Repair Order as instructions for your mechanic. Check (✓) each operation completed.

### MISCELLANEOUS

- Clean hydraulic fluid filter.
- Check hydraulic fluid level.
- Check condition of tires (put car on lift, check inner walls).
- Check the headlight adjustment; adjust if necessary.
- Check operation of all lights and switches.
- Check windshield washer operation.
- Clean the air vents.

### LUBRICATION (see lubri-chart)

- Change engine oil filter cartridge.
- Change engine oil (5¼ quarts S.A.E. 10W30).
- Grease drive shaft universal joints.
- Grease anti-roll bar ball joints.
- Grease anti-roll bar bushings.
- Lubricate rear suspension cylinder balls.
- Lubricate distributor felt (under rotor).
- Lubricate generator rear bushing.
- Change gear box oil (S.A.E. 90EP).
- Clean rubber strips (windows, doors . . .) and coat with silicon compound.
- Lubricate all body hinges and locks.
- Lubricate all control cables (heater control, speedometer, hood release, choke control . . .)

*Clean and vacuum the interior of your Citroën periodically*

63000 Miles

SERVICE No. 21

## LUBRICATION ①



**63000 Miles**

TO DEALER: attach this sheet to your Repair Order as instructions for your mechanic. Check (✓) each operation completed.

### LUBRICATION (see lubri-chart)

- Change engine oil ( $4\frac{3}{4}$  quarts S.A.E. 10W30).
- Grease drive shaft universal joints.
- Grease the anti-roll bar ball joints.
- Grease the anti-roll bar bushings.

### BATTERY

- Check level ( $\frac{1}{2}$ " to  $\frac{3}{4}$ " above plates).
- Clean terminals.

### TIRES

- Rotate the tires.

Performed by:

DEALER NAME (STAMP) ←

SERVICE No. 21

LUBRICATION ①

Date of Service \_\_\_\_\_

Mileage \_\_\_\_\_

*Keep your Citroën beautiful*

66000 Miles

SERVICE No. 22

### SERVICE A & LUBRICATION ① & ②



66000 Miles

TO DEALER: attach this sheet to your Repair Order as instructions for your mechanic. Check (✓) each operation completed.

Performed by:

DEALER NAME (STAMP)

SERVICE No. 22

SERVICE A and LUBRICATION ① & ②

Date of Service

Mileage

#### ENGINE

- Clean air filter.
- Clean insects from radiator.
- Clean and check spark plugs. **Adjust gap.**
- Clean and check distributor points. **Adjust gap.**
- Adjust the engine idling.**  
DW @ 550 RPM  
DS: see CLUTCH section below.
- Check crankcase ventilation device operation (check condition of rubber hoses; clean if necessary).
- Check the belt tensions; **adjust** if necessary.

#### CLUTCH

- DW  **Adjust the clutch clearance.**
- 1 **Adjust the declutching guarantee.**
  - 2 **Adjust the engine first idling @ 550 to 600 RPM**
- DS  3 **Adjust the clutch engagement speed @ 700 to 750 RPM**
- 4 **Adjust the accelerated idling @ 875 to 925 RPM**

#### BRAKES

- Check the condition of the front brake lining.
- Check the parking brake operation; **adjust** if necessary.

#### BATTERY

- Check level ( $\frac{1}{2}$ " to  $\frac{3}{4}$ " above the plates).
- Clean terminals. Immerse the felt washer in castor oil.

#### MISCELLANEOUS

- Clean hydraulic fluid filter.
- Check hydraulic fluid level.
- Check condition of tires (put car on lift, check inner walls).
- Check headlight adjustment; **adjust** if necessary.
- Check operation of all lights and switches.
- Check windshield washer operation.

#### LUBRICATION (see lubri-chart)

- Change engine oil filter cartridge.
- Change engine oil (5 $\frac{1}{4}$  quarts S.A.E. 10W30).
- Grease drive shaft universal joints.
- Grease anti-roll bar ball joints.
- Grease anti-roll bar bushings.
- Lubricate distributor felt (under rotor).
- Lubricate generator rear bushing.
- Check the gear box oil level.
- Clean rubber strips (windows, doors . . .) and coat with silicon compound.
- Lubricate all body hinges (doors, door checks, hood, trunk lid . . .) and locks (doors, trunk) with light oil.

*Have your Citroën washed and waxed regularly*

SERVICE No. 23

LUBRICATION ①

Date of Service \_\_\_\_\_

Mileage \_\_\_\_\_

Performed by: \_\_\_\_\_

69000 Miles

DEALER NAME (STAMP) ◀

SERVICE No. 23

## LUBRICATION ①



TO DEALER: attach this sheet to your Repair Order as instructions for your mechanic. Check (✓) each operation completed.

### LUBRICATION (see lubri-chart)

- Change engine oil (4<sup>3</sup>/<sub>4</sub> quarts S.A.E. 10W30).
- Grease drive shaft universal joints.
- Grease the anti-roll bar ball joints.
- Grease the anti-roll bar bushings.

### BATTERY

- Check level (1/2" to 3/4" above plates).
- Clean terminals.

**69000 Miles**

*Keep your Citroën beautiful*

72000 Miles

SERVICE No. 24

SERVICE A & B & C and LUBRICATION ① & ② & ③ & ④



72000 Miles

TO DEALER: attach this sheet to your Repair Order as instructions for your mechanic. Check (✓) each operation completed.

ENGINE

- Clean air filter.
- Clean insects from radiator.
- Adjust the valve clearance.
- Check compression of cylinders.
- Check the engine timing; **adjust** if necessary.
- Change distributor points (if not done yet).
- Change spark plugs.
- Overhaul and clean the carburetor.
- Adjust the engine idling.  
DW @ 550 RPM and DS: see CLUTCH
- Check crankcase ventilation device operation (check condition of rubber hoses, clean if necessary).
- Check the belt tensions; **adjust** if necessary.
- Check the cooling system condition; check antifreeze concentration.
- Check exhaust system (manifold, muffler, exhaust pipes . . .).
- Check the condition of all rubber hoses, especially at their attaching clamp (radiator, intake manifold heating, heater . . .).

- Check the radiator flap or curtain operation (H.D. heater).
- Check the starter condition.

CLUTCH

- DW  Adjust the clutch clearance.
- DS {  1 Adjust the declutching guarantee.
- 2 Adjust the engine first idling @ 550 to 600 RPM
- 3 Adjust the clutch engagement speed @ 700 to 750 RPM
- 4 Adjust the accelerated idling @ 875 to 925 RPM

BRAKES

- Check the condition of the front brake discs and linings.
- Check the condition of the rear brake drums and linings.
- Clean and **adjust** the rear brakes.
- Check the parking brake operation; **adjust** if necessary.

Have your Citroën washed and waxed regularly

(TURN PAGE) CONTINUED →

Performed by:

DEALER NAME (STAMP) ↓

SERVICE No. 24

SERVICE A & B & C and LUBRICATION ① & ② & ③ & ④

Date of Service \_\_\_\_\_

Mileage \_\_\_\_\_



TO DEALER: attach this sheet to your Repair Order as instructions for your mechanic. Check (✓) each operation completed.

### ELECTRICAL

- Check the generator condition (clean, or if necessary, change brushes).
- Check the entire electric system operation.

### STEERING

- Check for play in steering system.

### SUSPENSION

- Check hydraulic system for leaks completely.
- Check front end alignment; **adjust** if necessary.
- Check the heights; **adjust** if necessary.

### MISCELLANEOUS

- Clean hydraulic fluid filter.
- Change the hydraulic fluid (S.A.E. 70R3).
- Check condition of tires (put car on lift, check inner walls).
- Check the headlight adjustment; **adjust** if necessary.

- Check operation of all lights and switches.
- Check windshield washer operation.
- Clean the air vents.

### LUBRICATION (see lubri-chart)

- Change engine oil filter cartridge.
- Change engine oil (5 $\frac{1}{4}$  quarts S.A.E. 10W30)
- Grease drive shaft universal joints.
- Grease anti-roll bar ball joints.
- Grease anti-roll bar bushings.
- Lubricate rear suspension cylinder balls.
- Lubricate distributor felt (under rotor).
- Lubricate generator rear bushing.
- Change gear box oil (S.A.E. 90EP).
- Clean hydraulic fluid filter.

### BATTERY

- Check level ( $\frac{1}{2}$ " to  $\frac{3}{4}$ " above plates).
- Clean terminals.

### TIRES

- Rotate the tires.

*Have your Citroën washed and waxed regularly*

75000 Miles

SERVICE No. 25

LUBRICATION ①



75000 Miles

TO DEALER: attach this sheet to your Repair Order as instructions for your mechanic. Check (✓) each operation completed.

Performed by:

DEALER NAME (STAMP) ◀

SERVICE No. 25

LUBRICATION ①

Date of Service \_\_\_\_\_

Mileage \_\_\_\_\_

LUBRICATION (see lubri-chart)

- Change engine oil (4¾ quarts S.A.E. 10W30).
- Grease drive shaft universal joints.
- Grease the anti-roll bar ball joints.
- Grease the anti-roll bar bushings.

BATTERY

- Check level (½" to ¾" above plates).
- Clean terminals.

*Keep your Citroën beautiful*

78000 Miles

SERVICE No. 26

SERVICE A & LUBRICATION ① & ②



78000 Miles

TO DEALER: attach this sheet to your Repair Order as instructions for your mechanic. Check (✓) each operation completed.

Performed by:

DEALER NAME (STAMP)

SERVICE No. 26

SERVICE A and LUBRICATION ① & ②

Date of Service

Mileage

ENGINE

- Clean air filter.
- Clean insects from radiator.
- Clean and check spark plugs. Adjust gap.
- Clean and check distributor points. Adjust gap.
- Adjust the engine idling.  
DW @ 550 RPM  
DS: see CLUTCH section below.
- Check crankcase ventilation device operation (check condition of rubber hoses; clean if necessary).
- Check the belt tensions; adjust if necessary.

CLUTCH

- DW  Adjust the clutch clearance.
- 1 Adjust the declutching guarantee.
- 2 Adjust the engine first idling @ 550 to 600 RPM
- DS  3 Adjust the clutch engagement speed @ 700 to 750 RPM
- 4 Adjust the accelerated idling @ 875 to 925 RPM

BRAKES

- Check the condition of the front brake lining.
- Check the parking brake operation; adjust if necessary.

BATTERY

- Check level (1/2" to 3/4" above the plates).
- Clean terminals. Immerse the felt washer in castor oil.

MISCELLANEOUS

- Clean hydraulic fluid filter.
- Check hydraulic fluid level.
- Check condition of tires (put car on lift, check inner walls).
- Check headlight adjustment; adjust if necessary.
- Check operation of all lights and switches.
- Check windshield washer operation.

LUBRICATION (see lubri-chart)

- Change engine oil filter cartridge.
- Change engine oil (5 1/4 quarts S.A.E. 10W30).
- Grease drive shaft universal joints.
- Grease anti-roll bar ball joints.
- Grease anti-roll bar bushings.
- Lubricate distributor felt (under rotor).
- Lubricate generator rear bushing.
- Check the gear box oil level.
- Clean rubber strips (windows, doors . . .) and coat with silicon compound.
- Lubricate all body hinges (doors, door checks, hood, trunk lid . . .) and locks (doors, trunk) with light oil.

Have your Citroën washed and waxed regularly

81000 Miles

SERVICE No. 27

LUBRICATION ①



81000 Miles

TO DEALER: attach this sheet to your Repair Order as instructions for your mechanic. Check (✓) each operation completed.

LUBRICATION (see lubri-chart)

- Change engine oil (4¾ quarts S.A.E. 10W30).
- Grease drive shaft universal joints.
- Grease the anti-roll bar ball joints.
- Grease the anti-roll bar bushings.

BATTERY

- Check level (½" to ¾" above plates).
- Clean terminals.

TIRES

- Rotate the tires.

Performed by:

DEALER NAME (STAMP) ◀

SERVICE No. 27

LUBRICATION ①

Date of Service \_\_\_\_\_

Mileage \_\_\_\_\_

Keep your Citroën beautiful

84000 Miles

SERVICE No. 28

SERVICE A & B and LUBRICATION ① & ② & ③



84000 Miles

TO DEALER: attach this sheet to your Repair Order as instructions for your mechanic. Check (✓) each operation completed.

Performed by:

DEALER NAME (STAMP)

SERVICE No. 28

SERVICE A & B and LUBRICATION ① & ② & ③

Date of Service

Mileage

ENGINE

- Clean air filter.
- Clean insects from radiator.
- Clean and check distributor points (if not done yet). Adjust gap.
- Change spark plugs.
- Adjust the engine idling.  
DW @ 550 RPM and DS: see CLUTCH
- Check crankcase ventilation device operation (check condition of rubber hoses, clean if necessary).
- Check the belt tensions; adjust if necessary.
- Check the cooling system condition; check antifreeze concentration.
- Check exhaust system (manifold, muffler, exhaust pipes . . .).
- Check the condition of all rubber hoses, especially at their attaching clamp (radiator, intake manifold heating, heater . . .).
- Check the radiator flap or curtain operation (H.D. heater).

CLUTCH

- DW  Adjust the clutch clearance.
- DS {  1 Adjust the declutching guarantee.
- 2 Adjust the engine first idling @ 550 to 600 RPM
- 3 Adjust the clutch engagement speed @ 700 to 750 RPM
- 4 Adjust the accelerated idling @ 875 to 925 RPM

BRAKES

- Check the condition of the front brake discs and linings.
- Check the condition of the rear brake drums and lining.
- Clean and adjust the rear brakes.
- Check the parking brake operation; adjust if necessary.

BATTERY

- Check level (1/2" to 3/4" above plates).
- Clean terminals. Immerse the felt washers in castor oil.

Clean and vacuum the interior of your Citroën periodically

(TURN PAGE) CONTINUED →



TO DEALER: attach this sheet to your Repair Order as instructions for your mechanic. Check (✓) each operation completed.

**MISCELLANEOUS**

- Clean hydraulic fluid filter.
- Check hydraulic fluid level.
- Check condition of tires (put car on lift, check inner walls).
- Check the headlight adjustment; adjust if necessary.
- Check operation of all lights and switches.
- Check windshield washer operation.
- Clean the air vents.

**LUBRICATION** (see lubri-chart)

- Change engine oil filter cartridge.
- Change engine oil (5¼ quarts S.A.E. 10W30).
- Grease drive shaft universal joints.
- Grease anti-roll bar ball joints.
- Grease anti-roll bar bushings.
- Lubricate rear suspension cylinder balls.
- Lubricate distributor felt (under rotor).
- Lubricate generator rear bushing.
- Change gear box oil (S.A.E. 90EP).
- Clean rubber strips (windows, doors . . .) and coat with silicon compound.
- Lubricate all body hinges and locks.
- Lubricate all control cables (heater control, speedometer, hood release, choke control . . .)

*Clean and vacuum the interior of your Citroën periodically*

87000 Miles

SERVICE No. 29

LUBRICATION ①



87000 Miles

TO DEALER: attach this sheet to your Repair Order as instructions for your mechanic. Check (✓) each operation completed.

Performed by:

DEALER NAME (STAMP) ←

LUBRICATION (see lubri-chart)

- Change engine oil (4¾ quarts S.A.E. 10W30).
- Grease drive shaft universal joints.
- Grease the anti-roll bar ball joints.
- Grease the anti-roll bar bushings.

BATTERY

- Check level (½" to ¾" above plates).
- Clean terminals.

SERVICE No. 29

LUBRICATION ①

Date of Service \_\_\_\_\_

Mileage \_\_\_\_\_

*Keep your Citroën beautiful*

90000 Miles

SERVICE No. 30

SERVICE A & C and LUBRICATION ① & ② & ④



90000 Miles

TO DEALER: attach this sheet to your Repair Order as instructions for your mechanic. Check (✓) each operation completed.

Performed by:

DEALER NAME (STAMP)

SERVICE No. 30

SERVICE A & C and LUBRICATION ① & ② & ④

Date of Service

Mileage

ENGINE

- Clean air filter.
- Clean insects from radiator.
- Clean and check spark plugs. Adjust gap.
- Change distributor points (if not done yet).
- Check the cylinders compression.
- Check the engine timing; adjust if necessary.
- Overhaul and clean the carburetor.
- Adjust the valve clearance.
- Adjust the engine idling.  
DW @ 550 RPM  
DS: see CLUTCH section below.
- Check the starter condition.
- Check the crankcase ventilation device operation (check condition of rubber hoses; clean if necessary).
- Check the belt tensions; adjust if necessary.

CLUTCH

- DW  Adjust the clutch clearance.
- 1 Adjust the declutching guarantee.
- 2 Adjust the engine first idling @ 550 to 600 RPM
- DS {  3 Adjust the clutch engagement speed @ 700 to 750 RPM
- 4 Adjust the accelerated idling @ 875 to 925 RPM

BRAKES

- Check condition of front brake lining.
- Check parking brake operation; adjust if necessary.

BATTERY

- Check level (1/2" to 3/4" above the plates).
- Clean terminals. Immerse the felt washers in castor oil.

Clean and vacuum the interior of your Citroën periodically

(TURN PAGE) CONTINUED →



TO DEALER: attach this sheet to your Repair Order as instructions for your mechanic. Check (✓) each operation completed.

**ELECTRICAL**

- Check the generator condition (clean, or if necessary, change brushes).
- Check the entire electric system operation.

**SUSPENSION**

- Check hydraulic system for leaks completely.
- Check front end alignment; **adjust** if necessary.
- Check the heights; **adjust** if necessary.

**STEERING**

- Check for play in steering system.

**MISCELLANEOUS**

- Clean hydraulic fluid filter.
- Change the hydraulic fluid (S.A.E. 70R3).
- Check condition of tires (put car on lift, check inner walls).
- Check the headlight adjustment; **adjust** if necessary.

- Check operation of all lights and switches.
- Check windshield washer operation.
- Rotate the tires.

**LUBRICATION** (see lubri-chart)

- Change engine oil filter cartridge.
- Change engine oil (5¼ quarts S.A.E. 10W30)
- Grease drive shaft universal joints.
- Grease anti-roll bar ball joints.
- Grease anti-roll bar bushings.
- Lubricate distributor felt (under rotor).
- Lubricate generator rear bushing.
- Check gear box oil level.
- Clean hydraulic fluid filter.
- Clean rubber strips (windows, doors . . .) and coat with silicon compound.
- Lubricate all body hinges (doors, door checks, hood, trunk lid . . .) and locks (doors, trunk) with light oil.

*Clean and vacuum the interior of your Citroën periodically*

SERVICE No. 31

LUBRICATION ①

Date of Service \_\_\_\_\_

Mileage \_\_\_\_\_

Performed by: \_\_\_\_\_

DEALER NAME (STAMP) \_\_\_\_\_

93000 Miles

SERVICE No. 31

## LUBRICATION ①



TO DEALER: attach this sheet to your Repair Order as instructions for your mechanic. Check (✓) each operation completed.

### LUBRICATION (see lubri-chart)

- Change engine oil (4<sup>3</sup>/<sub>4</sub> quarts S.A.E. 10W30).
- Grease drive shaft universal joints.
- Grease the anti-roll bar ball joints.
- Grease the anti-roll bar bushings.

### BATTERY

- Check level (1/2" to 3/4" above plates).
- Clean terminals.

*Keep your Citroën beautiful*

**93000 Miles**

96000 Miles

SERVICE No. 32

SERVICE A & B and LUBRICATION ① & ② & ③



96000 Miles

TO DEALER: attach this sheet to your Repair Order as instructions for your mechanic. Check (✓) each operation completed.

Performed by:

DEALER NAME (STAMP)

SERVICE No. 32

SERVICE A & B and LUBRICATION ① & ② & ③

Date of Service

Mileage

ENGINE

- Clean air filter.
- Clean insects from radiator.
- Clean and check distributor points (if not done yet). Adjust gap.
- Change spark plugs.
- Adjust the engine idling.  
DW @ 550 RPM and DS: see CLUTCH
- Check crankcase ventilation device operation (check condition of rubber hoses, clean if necessary).
- Check the belt tensions; adjust if necessary.
- Check the cooling system condition; check antifreeze concentration.
- Check exhaust system (manifold, muffler, exhaust pipes . . .).
- Check the condition of all rubber hoses, especially at their attaching clamp (radiator, intake manifold heating, heater . . .).
- Check the radiator flap or curtain operation (H.D. heater).

CLUTCH

- DW  Adjust the clutch clearance.
- DS {
  - 1 Adjust the declutching guarantee.
  - 2 Adjust the engine first idling @ 550 to 600 RPM
  - 3 Adjust the clutch engagement speed @ 700 to 750 RPM
  - 4 Adjust the accelerated idling @ 875 to 925 RPM

BRAKES

- Check the condition of the front brake discs and linings.
- Check the condition of the rear brake drums and lining.
- Clean and adjust the rear brakes.
- Check the parking brake operation; adjust if necessary.

BATTERY

- Check level (1/2" to 3/4" above plates).
- Clean terminals. Immerse the felt washers in castor oil.

Clean and vacuum the interior of your Citroën periodically

(TURN PAGE) CONTINUED →



TO DEALER: attach this sheet to your Repair Order as instructions for your mechanic. Check (✓) each operation completed.

**MISCELLANEOUS**

- Clean hydraulic fluid filter.
- Check hydraulic fluid level.
- Check condition of tires (put car on lift, check inner walls).
- Check the headlight adjustment; adjust if necessary.
- Check operation of all lights and switches.
- Check windshield washer operation.
- Clean the air vents.

**LUBRICATION** (see lubri-chart)

- Change engine oil filter cartridge.
- Change engine oil (5¼ quarts S.A.E. 10W30).
- Grease drive shaft universal joints.
- Grease anti-roll bar ball joints.
- Grease anti-roll bar bushings.
- Lubricate rear suspension cylinder balls.
- Lubricate distributor felt (under rotor).
- Lubricate generator rear bushing.
- Change gear box oil (S.A.E. 90EP).
- Clean rubber strips (windows, doors . . .) and coat with silicon compound.
- Lubricate all body hinges and locks.
- Lubricate all control cables (heater control, speedometer, hood release, choke control . . .)

*Clean and vacuum the interior of your Citroën periodically*

99000 Miles

SERVICE No. 33

## LUBRICATION ①



99000 Miles

TO DEALER: attach this sheet to your Repair Order as instructions for your mechanic. Check (✓) each operation completed.

Performed by:

DEALER NAME (STAMP) ←

SERVICE No. 33

LUBRICATION ①

Date of Service \_\_\_\_\_

Mileage \_\_\_\_\_

### LUBRICATION (see lubri-chart)

- Change engine oil (4<sup>3</sup>/<sub>4</sub> quarts S.A.E. 10W30).
- Grease drive shaft universal joints.
- Grease the anti-roll bar ball joints.
- Grease the anti-roll bar bushings.

### BATTERY

- Check level (1/2" to 3/4" above plates).
- Clean terminals.

### TIRES

- Rotate the tires.

*Keep your Citroën beautiful*

# SOLE IMPORTER AND DISTRIBUTOR IN UNITED STATES

## CITROEN CARS CORPORATION

### East of Rocky Mountains

**GENERAL OFFICES**  
CITROEN CARS CORPORATION  
641 Lexington Avenue  
New York, N. Y. 10022  
Telephone: (212) MU 8-1161

**SERVICE AND PARTS**  
CITROEN CARS CORPORATION  
415 Third Avenue at 7th Street  
Brooklyn, N. Y. 11215  
Telephone: (212) MU 8-2850

### West of Rocky Mountains

**GENERAL OFFICE**  
CITROEN CARS CORPORATION  
8423 Wilshire Boulevard  
Beverly Hills, California 90211  
Telephone: (213) 653-8330

**SERVICE AND PARTS**  
CITROEN CARS CORPORATION  
8423 Wilshire Boulevard  
Beverly Hills, California 90211  
Telephone: (213) 653-8330

---

## IN CANADA

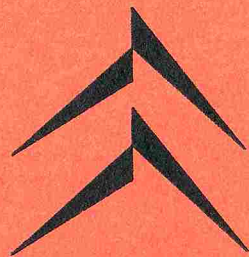
**GENERAL OFFICE**  
CITROEN CANADA LIMITEE  
4010 West Rue Ste Catherine  
Montreal 6, P. Q.  
Telephone: (514) 937-7411

## IN MEXICO

**SERVICE AND PARTS**  
AUTOMOVILES CITROEN, S. A.  
Balderas No. 120-124  
Mexico 1, D. F.  
Telephone: 18-17-20

Specifications and information outlined in this manual were in effect at the time of printing. S. A. André Citroën and/or its subsidiaries reserve the right to change these specifications and include revisions without prior notice and without responsibility whatsoever.

***citroën***



Printed in U.S.A.  
2M-3/67